



TH336

Telehandler



SPECIFICATIONS

Engine

Engine Model		
Standard	Cat® C4.4 DITAAC	
Optional	Cat® C4.4 DITAAC-ACERT	
Gross Power		
Standard	74.5 kW	101 hp
Optional	93.1 kW	126 hp
Maximum Torque		
Standard	410 Nm/1400 rpm	
Optional	499 Nm/1500 rpm	
Bore	105 mm	
Stroke	127 mm	
Displacement	4.4 liter	

- All engine horsepower (hp) are metric.

Weights

Operating Weight	6573 kg
------------------	---------

Operating Specifications

Rated Load Capacity	3300 kg
Maximum Lift Height	6100 mm
Maximum Forward Reach	3109 mm
Top Travel Speed	40 km/h
Load at Max Height	2400 kg
Load at Max Reach	1000 kg

Service Refill Capacities

	liter
Fuel Tank	150
Hydraulic Tank	90

Tires

Standard	15.5/80-24 16PR
----------	-----------------

Brakes

Service Brake	Servo assisted on front axle
Parking Brake	Mechanical on front axle

Hydraulic System

Maximum System Pressure	250 bar
Maximum Pump Flow	113 liter/min
Pump Type	
Variable Displacement Load Sensing Axial Piston Pump	
Auxiliary Hydraulic Supply	
Intermittent	80 liter/min
Continuous	60 liter/min

Transmission Speeds

Forward		km/h
1	7	
2	12	
3	21	
4	32	
5	40	
Reverse		
1	7	
2	12	
3	21	

Boom Performance

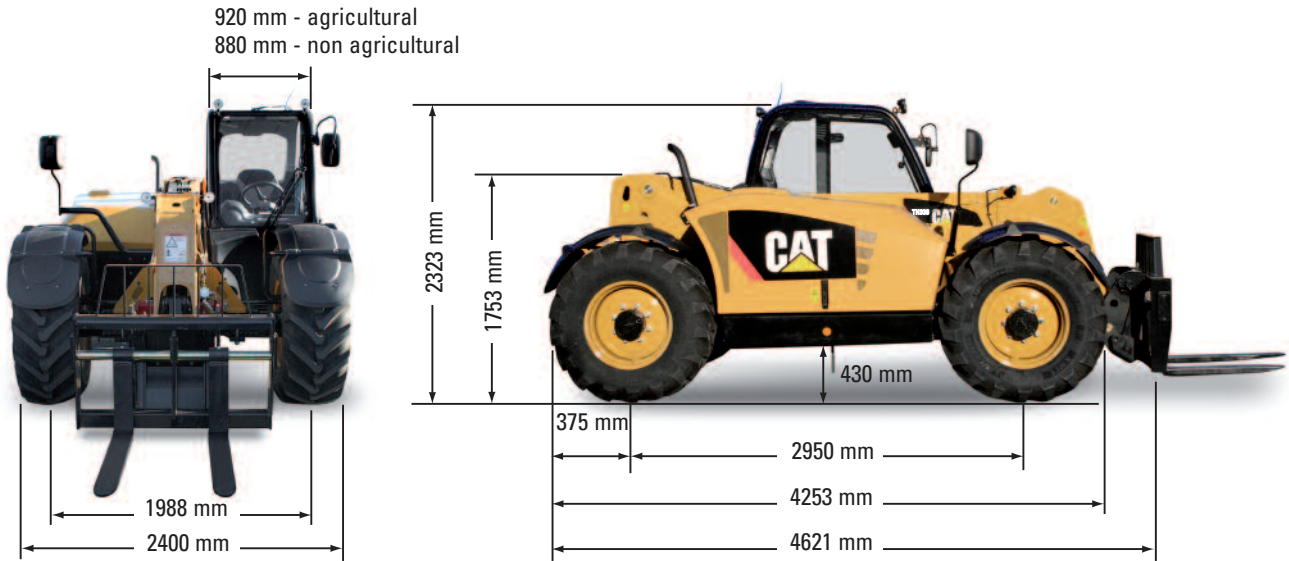
	seconds
Boom Up	5
Boom Down	4
Tele In	5
Tele Out	6
Crowd Forward (dump)	3
Crowd Backward	3
Combined	
Up and Out	10
Down and In	8
Drawbar Pull 74.5 kW	82,4 kN
Drawbar Pull 93 kW	86,8 kN
Bucket Breakout force to ISO 8313	55 kN

Sound

Operator Sound	78 dB(A)
----------------	----------

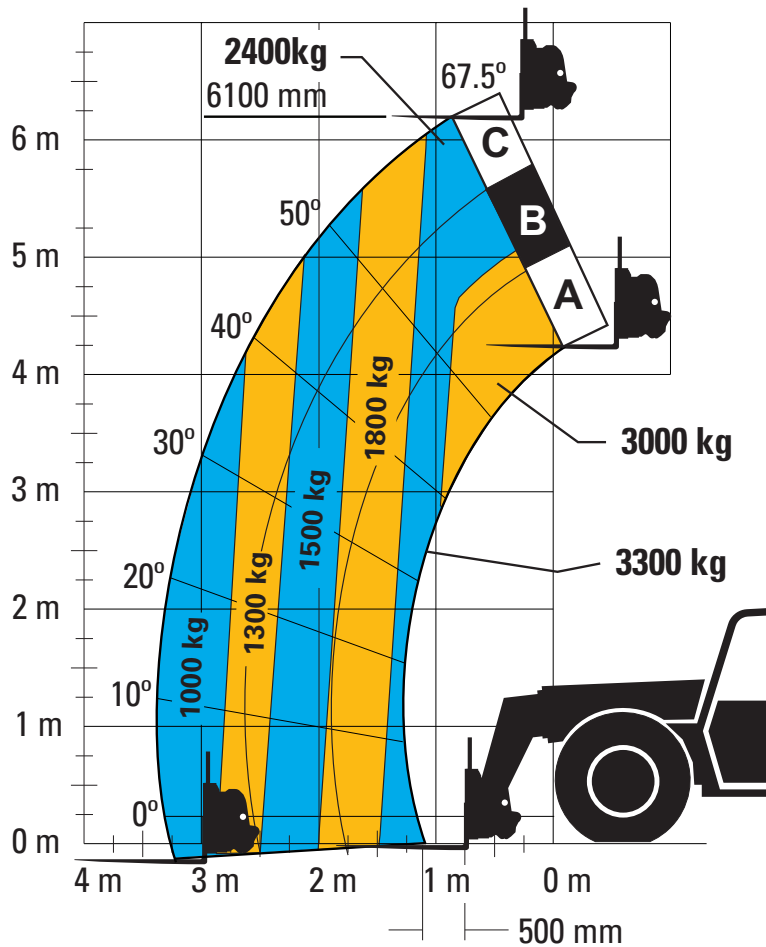
Dimensions

All dimensions are approximate.



Outside turn radius over tires: 3585 mm

Load Chart



Due to continuous product improvements, machine specifications and/or equipment changes may be made without prior notification.

©2008 Caterpillar Inc. All Rights Reserved. CAT, CATERPILLAR, their respective logos, "Caterpillar Yellow" and the POWER EDGE trade dress, as well as corporate and product identity used herein, are trademarks of Caterpillar and may not be used without permission.